

LIMITED LIABILITY WARRANTY

Your new Video Intercom System is guaranteed free defects in materials and workmanship for a period of one year from the date of purchase.

The product must have been used only for its intended purpose, and not been subjected to damage by misuse, willful or accidental damage, caused by excessive voltage or lightning.

The system must have been installed in accordance with the instructions given in the instruction manual and only compatible equipment may be connected to it.

The product must not have been tampered with in any way then the guarantee will be considered null and void.

Should the serial numbers be tampered with in any way then the guarantee will be considered null and void.

This guarantee does not affect your statutory rights.

Contact VITEK directly for all servicing.



9970 GLENOAKS BLVD. UNIT B SUN VALLEY, CA 91352
PHONE: 888-VITEK-70 / 818-771-0300 FAX: 818-771-0400
WWW.VITEKCCTV.COM | SALES@VITEKCCTV.COM

VITEK Video Door Phone
INDUSTRIAL VIDEO PRODUCTS, INC. Product Manual

VT-710S



Thank you for purchasing the VT-710S Video Door Phone from VITEK Industrial Video Products, Inc. It's imperative that this manual is read prior to installation.

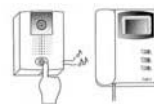


CAUTION : TO REDUCE THE RISK OF ELECTRIC SHOCK. DO NOT REMOVE COVER. NO USER-SERVICEABLE PARTS INSIDE. REFER SERVICING TO QUALIFIED SERVICE PERSONNEL.

1. Unit contains uninsulated dangerous voltage within the enclosure that may be of sufficient magnitude to constitute a risk of electric shock to persons
2. Only use DC Power Supply
3. Read & Keep these instructions.
4. Heed to all warnings and follow all instructions carefully.
5. Do not use near water.
6. Clean only with dry cloth.
7. Do not block any ventilation openings. install in accordance with the instructions.
8. Do not install near any heat source such as radiators, heat resistors, stoves, or other apparatus (including amplifiers) that produce heat.
9. Do not defeat the safety purpose of the polarized or grounding-type plug. A polarized plug has two blades with one wider than the other. A grounding type plug has two blades and a third grounding prong. The wide blade or the third prong are provided for safety. if the provided plug does not fit into your outlet, consult an electrician for replacement of the obsolete outlet.
10. Protect the power cord from being walked on or pinched particularly at plugs, convenience receptacle, and the point where they exit from the apparatus.
11. Only use attachment/accessories specified by VITEK.
12. Use only with cart, stand, tripod, bracket, or table specified by the manufacturer, or sold with the Unit,
13. Unplug this unit during lightning storms or when unused for long periods of time.
14. Refer all servicing to qualified service personnel. Servicing is required when the unit has been damaged in any way, such as power-supply cord or plug is damaged, liquid has been spilled or objects have fallen into the unit, the unit has been exposed to rain or moisture, does not operate normally or has been dropped.
15. Do not attempt to service this product yourself as opening or removing covers may expose you to dangerous voltage or other hazards. Refer all servicing to qualified service personnel.

CAUTION - To reduce the risk of electric shock, do not perform any servicing other than contained in these operating instructions unless you are qualified to do so.

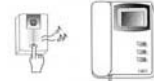
Conversing With Caller



- When a caller presses the call button on the outdoor unit, an electronic door chime is heard over the speaker of the indoor unit and the camera in the outdoor unit is activated. You can identify visitors with monitor.



- You can talk to the visitor who is shown on the screen by lifting the handset and conversing just as you would use normal phone.



- Pressing the call button on the outdoor unit activates the camera for 30 seconds only without lifting handset. However, talking with the handset for more than 30 seconds or pressing monitor button will allow the camera and monitor to continue for longer.



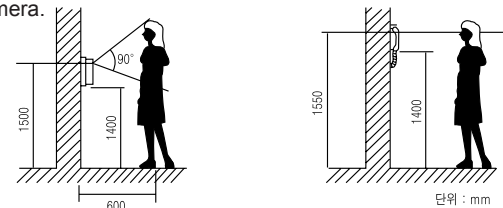
- To end the conversation, return the handset to the base unit. If your video door phone system is equipped with the electronic door release option, you can let your caller in through the door simply by pressing the option key on the base unit.



- Press the monitor button on the base without lifting the handset to internally activate the outdoor camera.

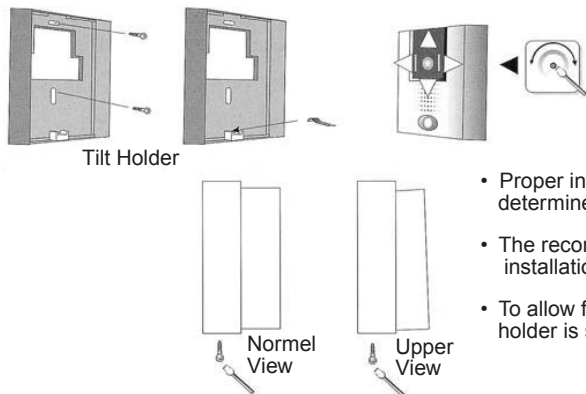
Installation Precautions

- Do not install the outdoor unit where it will be exposed to direct sunlight or strong reflected light. Placing the indoor unit in extremely bright locations will also adversely effect the picture quality.
- Do not install the outdoor unit where it will be subjected to extremes of dust or moisture.
- Be careful to properly connect the all cables.
- Secure the unit in an appropriately stable location.
- Do not install the outdoor unit where it will be exposed to rain.
- Do not install the outdoor unit in a location where the lens filter is likely to get scratched or dusty.
- Recommended installation height is approximately 155cm for the indoor monitor and 150cm for the outdoor camera.



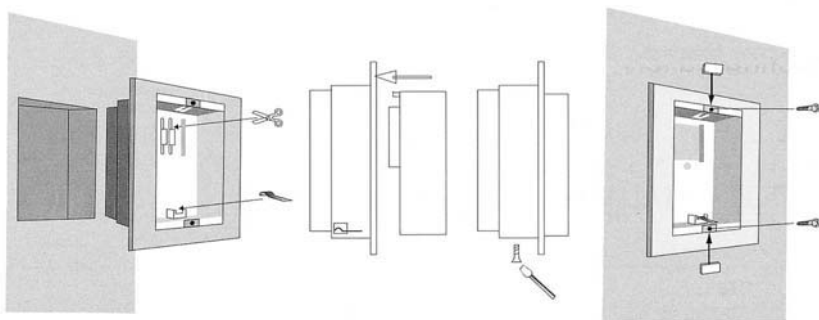
- When installing this outdoor camera below 110cm, adjusting the camera is impossible.

Surface Mount Installation



- Proper installation height should be determined at user's discretion.
- The recommended height for camera installation is 5' from the ground.
- To allow for greater flexibility a TILT holder is supplied.

Flush Mount Installation



1. Securely install the flush mount bracket using the spacers and screws provided. Check that the bracket is both flat against the wall and level.
2. Place the camera unit into the bracket starting with the top, then carefully push in the lower portion of the unit into position.
3. Once proper positioning has been achieved, remove the camera screw cover and mark the screw position on the wall.
4. Remove the camera unit from the bracket and screw spacer into the camera mounting screw hole. Be sure to use the correct diameter screw.
5. Replace the camera unit into the wall bracket and tighten the camera screw. Replace the screw cover, but do not over-tighten otherwise damage to the plastic casing will occur.

INDOOR MONITOR

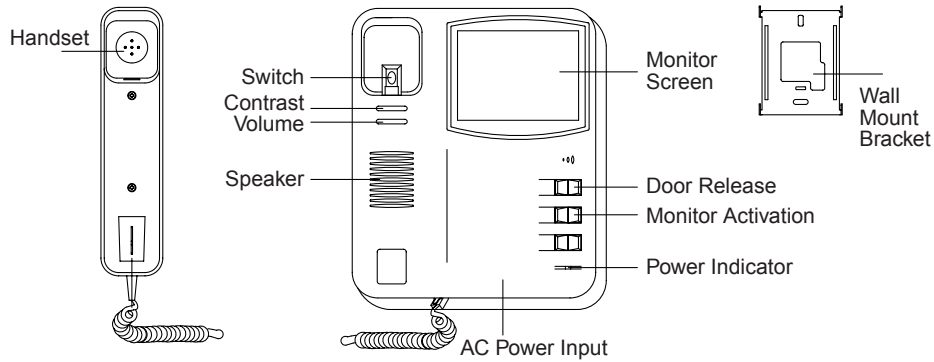
| | |
|----------------------------------|---|
| Monitor | 4 Black & White Flat CRT |
| Scanning Frequency | Horizontal 15.750 HZ (EIA) / 15.625HZ(CCIR) |
| Power | Free voltage (AC 100V-240V,50/60 HZ) |
| Power consumption | 13W(Activating), 2W(Stand by) |
| Resolution | 400 TV LINES |
| Input signal | Composite Video 75 ohm 1Vp-p |
| External jack, Input jack | Terminal Screw |
| Calling system | 2 Strokes (Ding Dong) |
| Dimensions (mm) | 180(W)x220(H)x52(D) |

OUTDOOR CAMERA

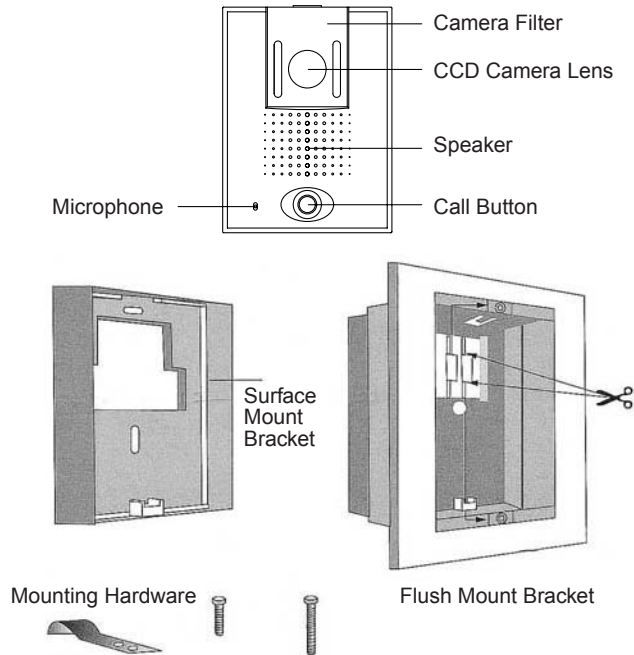
| | |
|------------------------------|---------------------------------------|
| CCD | Black & White 1/3 CCD |
| SYNC system | Internal |
| Frame | 30/sec |
| Lens | F=2 Fixed focus, 92 degree view angle |
| Illumination | 0.5 LUX at 400mm Distance |
| Power | DC 12V |
| Power consumption | 3W |
| Telephone call system | 2 WIRES |
| Signal system | EIA / CCIR |
| Scanning system | 525 LINES / 625 LINES |
| Operating Temperature | -10 50 (+14 122) |
| Auto Iris | Internal ALC System |
| Microphone | Condense type |
| Audio Amplifier | RX & TX |
| Dimensions (mm) | 90(W)x120(H)x47(D)m |

Included Components

Indoor Monitor



Outdoor Camera

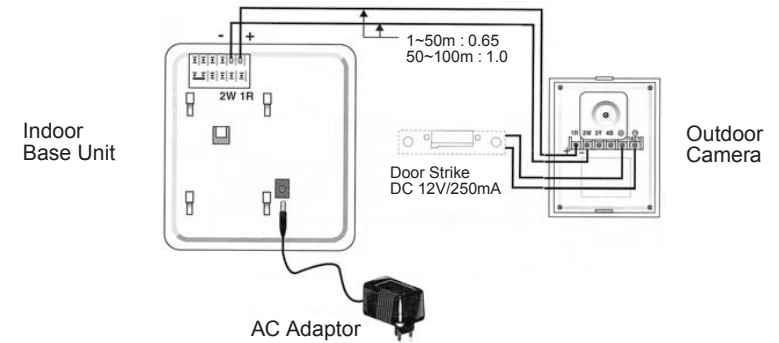


Base Unit Installation

Cable Connections

When installing this video intercom system take care to connect the cables as follows:

1. Peel back the grey outer covering of the cable to expose the Red and White wires, strip back the colored plastic by approximately 10mm to exposed wire.
2. Following the wiring diagram below, connect the Red line to the terminal marked 1R; the white line to the terminal marked 2W; the any color cable of the recommended diameter can be used but make sure the same color is connected to the corresponding terminals on the camera and the monitor.
3. If the electric door strike option is be used, connect the Door Open Key to terminals as shown below. Door Open Key maximum DC 12 voltage 250mA.



Monitor Installation

- Securely install the wall mount bracket using the supplied screws (4X32)
- With the wall bracket securely fixed to the wall, place the indoor monitor firmly against the bracket and push down the indoor unit on the bracket

