



VT-HD/EX2 Compact 1x2 HD-SDI Reclocking Video Distribution Amplifier



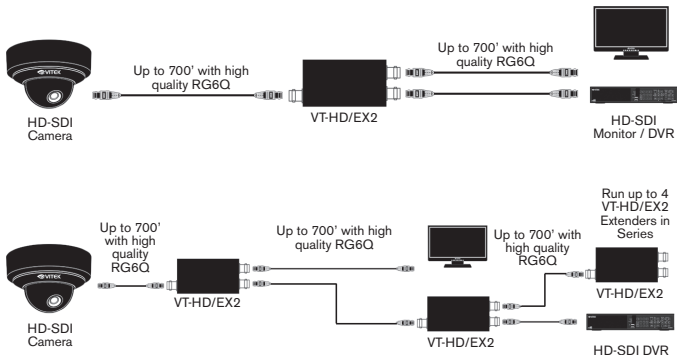
- Extends 1080P HD-SDI Signals up to an additional 700' from the camera source or to the DVR for a total of 1400' per VT-HD/EX2 (depending on cable characteristics)
- Up to Four VT-HD/EX2 extenders can be configured in series for a total of 3600' from camera to DVR
- Built-In 1x2 output HD-SDI Splitter
- Integrated Reclocker to Maintain Signal Integrity
- Supports 1080P, 1080i, 720P, NTSC, and PAL Video Signals
- Compact size for easy, discreet installation
- 5VDC Power Supply Included



VITEK

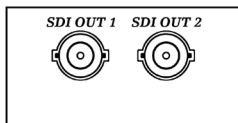
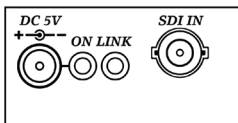
Introduction / Configuration:

VT-HD/EX2 is a repeater for HD-SDI links operating with 75Ω coax cable. With 1 input & 2 output distributor function to allow two HD-SDI monitors to display one HD-CCTV camera. It can also be daisy-chained to an additional VT-HD/EX2 repeater for longer distance applications.



Inputs/Outputs / LED's:

LED Status	LED ON	LED OFF
Green LED (Power)	Power ON	Power OFF
Blue LED (Signal Status)	SDI Signal Input	NO SDI Signal Input



Working Distance / Recommend Cable:

Max distance via high quality Coaxial Cable (Belden 1505A,1694A RG6Q)	From Source	To DVR
SD resolution (270Mbps: 480i,576i)	1400'	1400'
HD resolution (1.45Gbps: 720p,1080i,1080p @ 24/25/30 fps)	700'	700'
Full HD resolution (2.97Gbps: 1080p @ 50/60 fps)	350'	350'

Max distance via high quality Coaxial Cable (Belden 1505A RG59)	From Source	To DVR
SD resolution (270Mbps: 480i,576i)	1000'	1000'
HD resolution (1.45Gbps: 720p,1080i,1080p @ 24/25/30 fps)	500'	500'
Full HD resolution (2.97Gbps: 1080p @ 50/60 fps)	260'	260'

To transmit an HD signal, the coax cable Bandwidth must over 1.5G. If transmitting a Full HD signal, the coax cable Bandwidth must over 3G.

We recommend the use of high quality 75Ω Coaxial Cable and BNC connectors, low quality coaxial cable may cause signal loss and effect transmission distance and reliability.

Specifications

SDI Protocols	SDI (SMPTE 259M) / HD-SDI (SMPTE 292M) / 3G-SDI (SMPTE 424M)
Input/Output	BNC x 3 (75Ω)
Power Supply	DC 5V 1A
Power Consumption	500 mA (Max)
Operation Temp.	32° to 130°F @ >95% RH
Dimensions	1.92" x 5.52" x 1" (48.7 x 140.3 x 25.2mm)
Weight	5.65oz (160g)

VITEK LIMITED PRODUCT WARRANTY

VITEK products carry a three (3) year limited warranty. VITEK warrants to the purchaser that products manufactured by VITEK are free of any rightful claim of infringement or the like, and when used in the manner intended, will be free of defects in materials and workmanship for a period of three (3) years, or as otherwise stated above, from the date of purchase by the end user. This warranty is nontransferable and extends only to the original buyer or end user customer of a VITEK Authorized Reseller.

The product must have been used only for its intended purpose, and not been subjected to damage by misuse, willful or accidental damage, caused by excessive voltage or lightning.

The product must not have been tampered with in any way or the guarantee will be considered null and void.

This guarantee does not affect your statutory rights.

Contact your local VITEK Reseller should servicing become necessary.

VITEK makes no warranty or guarantee whatsoever with respect to products sold or purchased through unauthorized sales channels. Warranty support is available only if product is purchased through a VITEK Authorized Reseller.



28492 CONSTELLATION ROAD VALENCIA, CA 91355
WWW.VITEKCCTV.COM

Version 1.0
June 2014