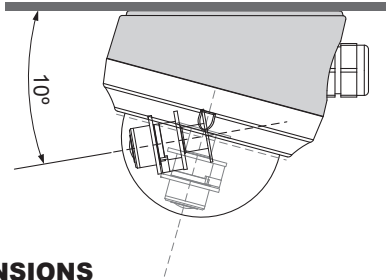
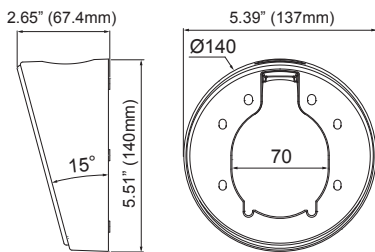


### ABOUT THIS PRODUCT

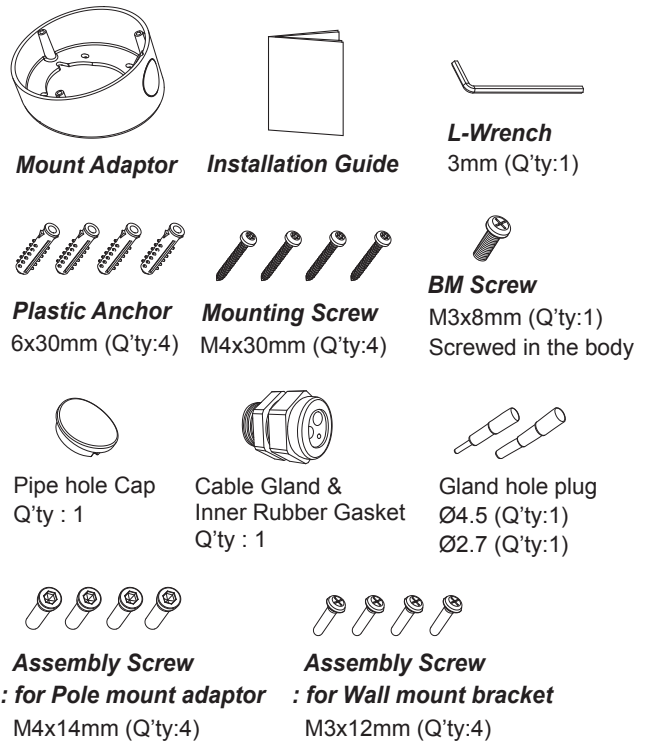
Install the mount onto a strong structure such as concrete wall or ceiling. This product is used to extend the viewing angle of the camera limit.



### DIMENSIONS



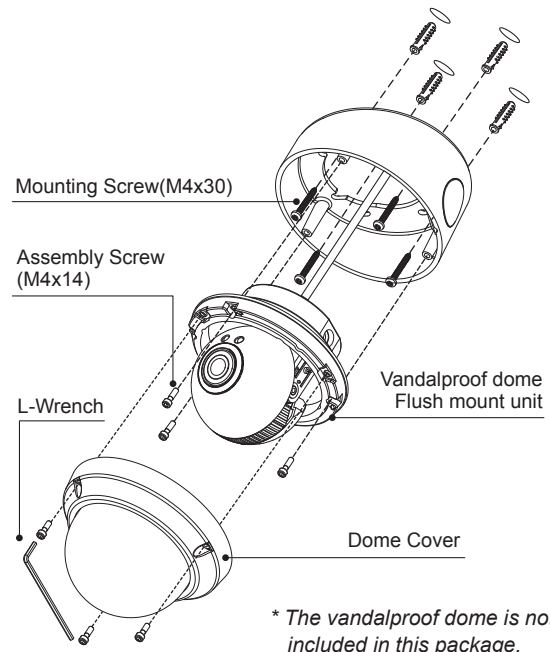
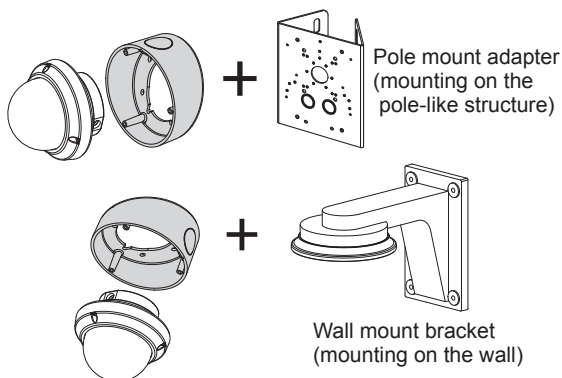
### PARTS SUPPLIED



### INSTALLATION

1. Mark at the installation position and drill the ceiling or wall.
2. Open the dome cover by loosening screws(4x12mm). Use the L-wrench supplied.
3. Place the tilted mount on pre-drilled position and fix it through using mounting screws. Assemble the cable pipe, otherwise tighten a pipe hole cap.
4. Route the power cable to the connecting place.
5. Affix the flush mount unit to the tilted mount using the assembly screws(4x14mm). Before fixing the dome unit, make sure the assembly holes should be aligned with the tilted mount assembly holes.
6. Set the camera's viewing angle and adjust zoom&focus.
7. Put the dome cover to the dome unit and tighten the assembly screws.

### APPLICATION



### SPECIFICATIONS

Construction: Cast Aluminum  
 Environment: Ceiling or Wall mount with wide angle for a Vandalproof dome  
 Dimension(mm): 5.39" x 5.51" x 2.64" (137x140x67.4mm)  
 Weight: 0.77 lb (350g)