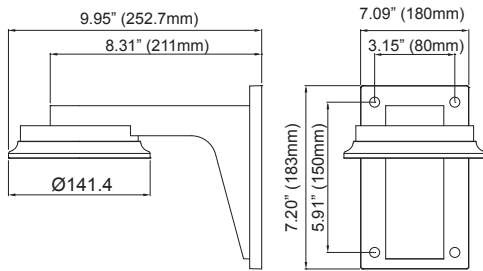


PRIOR to USE

Install the mount onto a strong structure such as concrete wall. Use the supplied accessories when installing the mount bracket depends on mounting position.

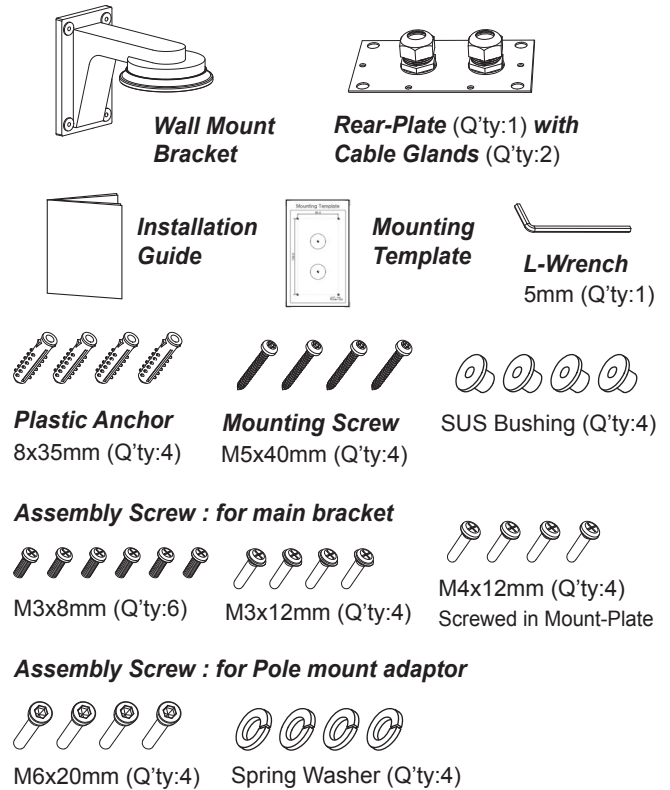
DIMENSIONS



SPECIFICATIONS

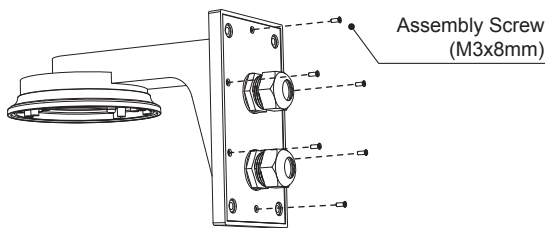
Construction: Cast Aluminum
 Environment: Wall mount for a Vandalproof dome
 Dimension(mm): 5.55" x 7.2" x 9.95" (141x183x252.7mm)
 Weight: 1kg (2.2 lb)

PARTS SUPPLIED

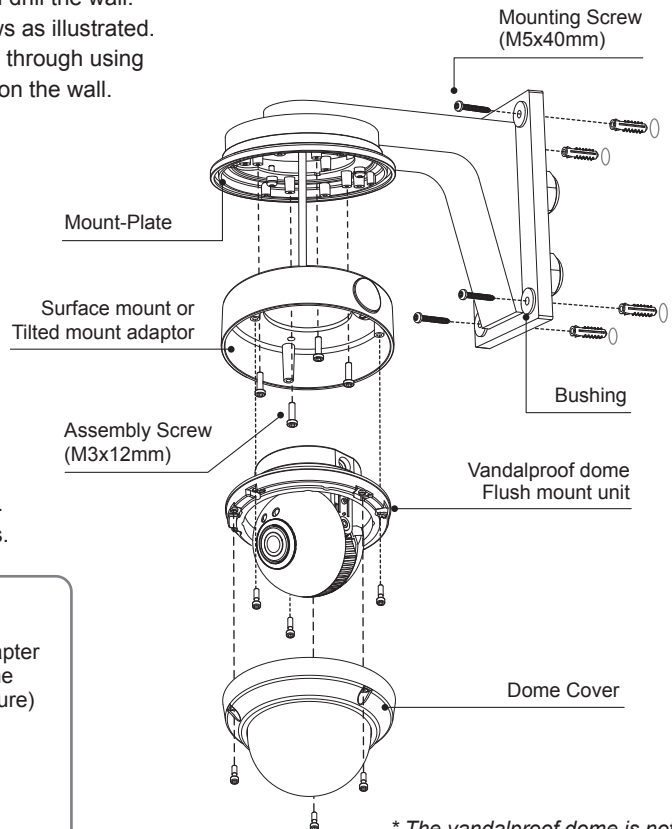


INSTALLATION

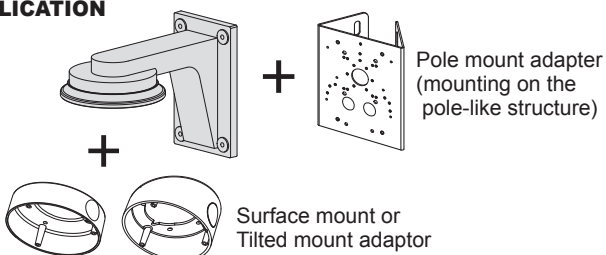
1. Locate the mount bracket at the installation position and drill the wall.
2. Attach a rear-plate to the mount bracket using the screws as illustrated.
3. Place the mount bracket on pre-drilled position and fix it through using mounting screws. Route the power cable before mount on the wall.



4. Open the dome cover by loosening screws.
5. Affix the vandalproof dome unit to the mount plate using the assembly screws (M3x12mm).
6. Set the camera's viewing angle and adjust zoom&focus.
7. Put the dome cover to the dome unit and tighten screws.



APPLICATION



* The vandalproof dome is not included in this package.