

LIMITED LIABILITY WARRANTY

Your new Camera is guaranteed to be free from defects in materials and workmanship for a period of two years from the date of purchase.

The product must have been used only for its intended purpose, and not been subjected to damage by misuse, willful or accidental damage, caused by excessive voltage or lightning.

The product must not have been tampered with in any way then the guarantee will be considered null and void.

This guarantee does not affect your statutory rights.

Contact an Authorized VITEK reseller for all servicing needs.



28492 CONSTELLATION ROAD VALENCIA, CA 91355
WWW.VITEKCCTV.COM | 888-VITEK-70

 **VITEK** **VTC-IRLED30HD**
INDUSTRIAL VIDEO PRODUCTS, INC. High Resolution Color Bullet
Camera w/30 IR LEDs



- 1/3" Color CCD with 480 TV Lines Resolution
- 30 Infrared LEDs enable Viewing in Total Darkness up to 80 Feet
- Heavy Duty Weather/Vandal Resistant Aluminum Construction
- Sunshield and Mounting Bracket Included
- Dual Voltage Operation: 12VDC / 24VAC
- Standard 4.3mm Lens Included. Optional lenses ranging from 3.6mm to 25mm also available.

VITEK



CAUTION

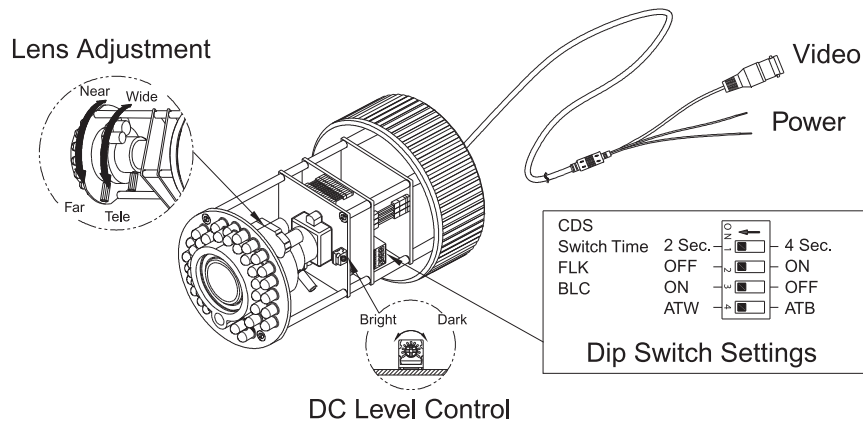
**RISK OF ELECTRICAL SHOCK
DO NOT OPEN**



- Unit contains uninsulated dangerous voltage within the enclosure that may be of sufficient magnitude to constitute a risk of electric shock to persons
- Only use DC Power Supply
- Read & Keep these instructions.
- Heed to all warnings and follow all instructions carefully.
- Do not use near water.
- Clean only with dry cloth.
- Do not block any ventilation openings. install in accordance with the instructions.
- Do not install near any heat source such as radiators, heat resistors, stoves, or other apparatus (including amplifiers) that produce heat.
- Do not defeat the safety purpose of the polarized or grounding-type plug. A polarized plug has to blades with one wider than the other. A grounding type plug has to blades and a third grounding plug. The wide blade or the third prong are provided for safety. if the provided plug does not fit into your outlet, consult an electrician for replacement of the obsolete outlet.
- Protect the power cord from being walked on a pinched particularly at plugs, convenience receptacle, and the point where they exit from the apparatus.
- Only use attachment/accessories specified by VITEK.
- Use only with cart, stand, tripod, bracket, or table specified by the manufacturer, or sold with the Unit,
- Unplug this unit during lightning storms or when unused for long periods of time.
- Refer all servicing to qualified service personnel. Servicing is required when the unit has been damaged in any way, such as power-supply cord or plug is damaged, liquid has been spilled or objects have fallen into the unit, the unit has been exposed to rain or moisture, does not operate normally or has been dropped.
- Do not attempt to service this product yourself as opening or removing covers may expose you to dangerous voltage or other hazards. Refer all servicing to qualified service personnel.

CAUTION - To reduce the risk of electric shock, do not perform any servicing other than contained in these operating instructions unless you are qualified to do so.

LENS ADJUSTMENT



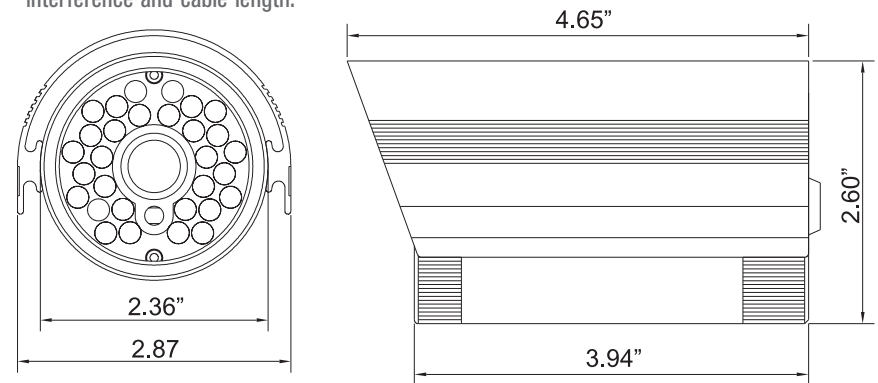
2

SPECIFICATIONS

VTC-IRLED30HD

Pick up Element	1/3" Color CCD Image Sensor
Effective Pixels	768 x 494
Resolution	480 TV Lines
Minimum Illumination	0 Lux (IR On)
S/N Ratio	More than 48dB(AGC off)
Electronic Shutter	1/60 to 1/100,000 sec.
White Balance	AWB
Video Output	1.0 Vp-p composite, 75 Ohm
Lens	4.3mm Included (3.6, 6, 8, 12, 16, 25mm Optional)
IR LED	30 850nm IR LED's
Operation Temperature	14° ~ 122° F (-10° ~ 50° C)
Power Source	Dual Voltage: 12VDC/24VAC
Power Consumption	IR Off: 160 mA / IR On: 340 mA (*At Power Input)
Dimensions	2.36" x 3.94" (60mm x 100mm)

* Remember to consider the factors that effect Voltage Drop including wire gauge, quality, interference and cable length.



3