



VTD-MD5CH
Vandal Resistant Mini Dome
Camera

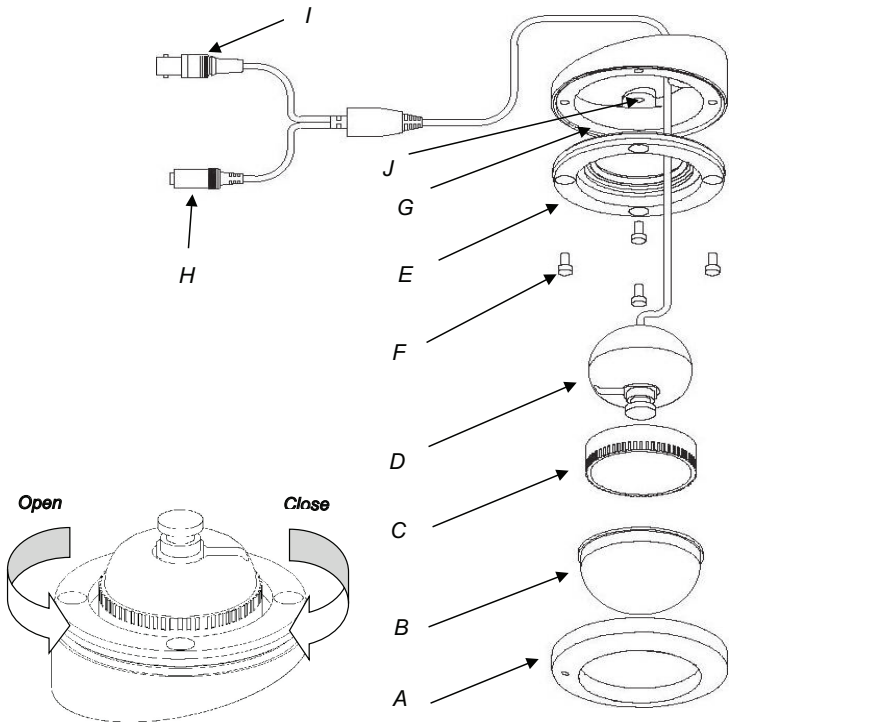


FEATURES:

- 1/3" Sony Super Had CCD
- 550 TV Lines of Resolution
- 3.6mm Fixed Lens Included
- Minimum Illumination of 0.3 Lux
- Can be Semi-Flush or Surface Mounted
- IP-66 Rated Vandal Resistant Aluminum Enclosure with Polished Chrome Finish
- 12VDC Operation

VITEK

INSTALLATION

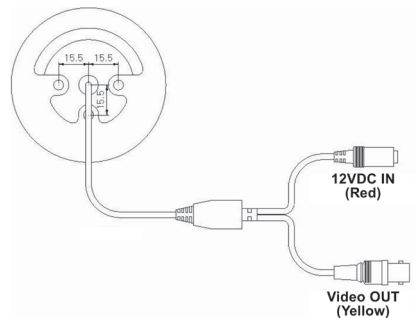
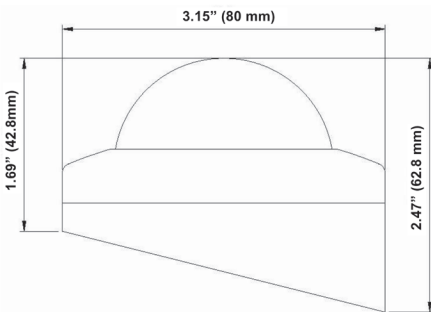


- 1)** Align the camera unit with the surface of the ceiling, make marks on the ceiling in the places where the screw holes are to be drilled, and then drill the three holes.
- 2)** Cut a hole (diameter:50mm) in the ceiling for routing the cables.
- 3)** Pass the power cable (H) and video cable (I) from the camera unit through the cable hole in the ceiling.
- 4)** Align the three screw holes in the camera unit (G) with the screw holes in the ceiling, and then secure the camera in place by tightening the three tapping screws(J).
- 5)** Use the supplied the four screws(F) to secure the middle base(F) to the bottom base(G)
- 6)** Tighten the guide ring(C), then adjustment the camera(D).
- 7)** Attach the bubble(B) to the middle base(E).
- 8)** Attach the top cover(A) to the middle base(E).
- 9)** Use the supplied star-shaded L-wrench to tighten the set screw on the top cover.

SPECIFICATIONS

VTD-MD5CH

Image Sensor	1/3" Super HAD CCD
Sync System	Internal
Scanning system	2:1 Interlace
Lens	3.6mm Fixed Iris Lens Included
Horizontal Resolution	550 TV Lines
Min. Illumination	0.3Lux
S/N Ratio	More than 52dB AGC OFF at 50IRE
Video Output	1.0Vp-p composite, 75 Ohms
Effective Pixels	250k (275k Total)
Electronic Shutter	1/60 ~ 1/100,000
CCD Features	AGC, ESC, BLC
Operating Temperature	14F ~ 122F (-10C ~ +50C)
Operating Humidity	Within 85% RH
Power Supply	12VDC (300mA Max Consumption) ** CENTER POSITIVE **
Dimensions (Dia. x H)	3.15" x 1.69"/2.47" (80mm x 42.8mm/62.8mm)
Weight	14.11 Oz. (400g)



LIMITED LIABILITY WARRANTY

Your new Camera is guaranteed to be free from defects in materials and workmanship for a period of three years from the date of purchase.

The product must have been used only for its intended purpose, and not been subjected to damage by misuse, willful or accidental damage, caused by excessive voltage or lightning.

The product must not have been tampered with in any way then the guarantee will be considered null and void.

This guarantee does not affect your statutory rights.

Contact VITEK directly for all servicing.



28492 CONSTELLATION ROAD VALENCIA, CA 91355
WWW.VITEKCCTV.COM