



VTD-MD7CH
Vandal Resistant Mini Dome
Camera with 700 TVL

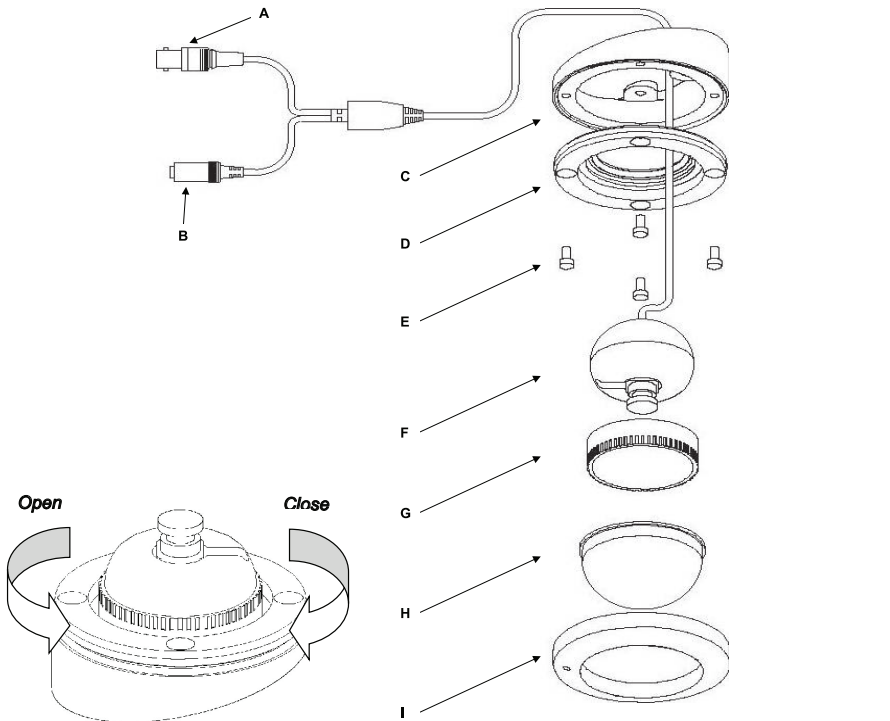


FEATURES:

- 1/3" Sony® Super HAD II CCD
- Sony Effio-E Digital Signal Processor (DSP)
- 700 TV Lines of Resolution
- 2.8mm Lens Included (3.6, 6, 8, 12 and 16mm also available)
- Sensitivity of 0.0003Lux
- 2D-DNR - Two Dimensional Motion Adaptive Noise Reduction
- Can be Semi-Flush or Surface Mounted
- IP-66 Rated Weather Resistant Aluminum Enclosure w/ Polished Chrome Finish
- 12VDC Operation

VITEK

INSTALLATION

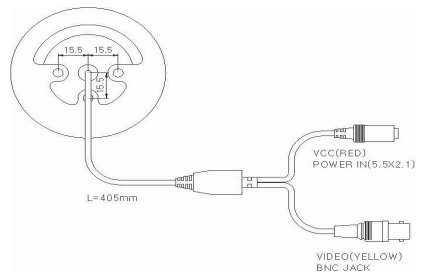
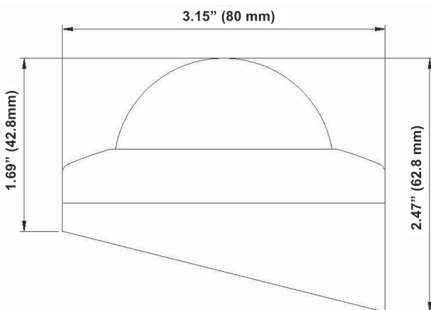


- 1)** Align the camera unit with the surface of the ceiling, make marks on the ceiling in the places where the screw holes are to be drilled, and then drill the three holes.
- 2)** Cut a hole (diameter:50mm) in the ceiling for routing the cables.
- 3)** Pass the power cable (B) and video cable (A) from the camera unit through the cable hole in the ceiling.
- 4)** Align the three screw holes in the camera unit (C) with the screw holes in the ceiling, and then secure the camera in place by tightening the three tapping screws.
- 5)** Use the supplied the four screws (E) to secure the middle base (D) to the bottom base (C)
- 6)** Tighten the guide ring (G), then adjustment the camera (F).
- 7)** Attach the bubble (H) to the middle base (D).
- 8)** Attach the top cover (I) to the middle base (D).
- 9)** Use the supplied star-shaped L-wrench to tighten the set screw on the top cover.

SPECIFICATIONS

VTD-MD7CH

Image Device	1/3" Sony® Super HAD II CCD w/Effio-E DSP (960H)
Resolution	700TVL
Effective Pixels	976(H) x 494(V)
Minimum Illumination	0.0003Lux @ F1.2
Included Lens	2.8mm (3.6, 6, 8, 12 and 16mm also available)
Day/Night	Auto
Noise Reduction	2D-DNR
Synchronization	Internal
S/N Ratio	More than 50dB
Video Output	VBS 1Vpp +/-10%, 75ohm
Electronic Iris	1/60 ~ 1/100,000sec
Construction	Aluminum Housing with Polished Chrome Finish
Water Resistance	IP-66
Power Source	12VDC
Power Consumption	100mA
Operating condition	14F ~ 122F (-10C ~ +50C) / 95% RH Max
Dimensions	3.15" x 1.69"/2.47" (80mm x 42.8mm/62.8mm)
Weight	14.11 Oz. (400g)



LIMITED LIABILITY WARRANTY

VITEK products carry a three (3) year limited warranty. VITEK warrants to the purchaser that products manufactured by VITEK are free of any rightful claim of infringement or the like, and when used in the manner intended, will be free of defects in materials and workmanship for a period of three (3) years, or as otherwise stated above, from the date of purchase by the end user. This warranty is nontransferable and extends only to the original buyer or end user customer of a Vitek Authorized Reseller.

The product must have been used only for its intended purpose, and not been subjected to damage by misuse, wilful or accidental damage, caused by excessive voltage or lightning.

The product must not have been tampered with in any way or the guarantee will be considered null and void.

This guarantee does not affect your statutory rights.

Contact your local VITEK Reseller should servicing become necessary.

VITEK makes no warranty or guarantee whatsoever with respect to products sold or purchased through unauthorized sales channels. Warranty support is available only if product is purchased through a VITEK Authorized Reseller.

