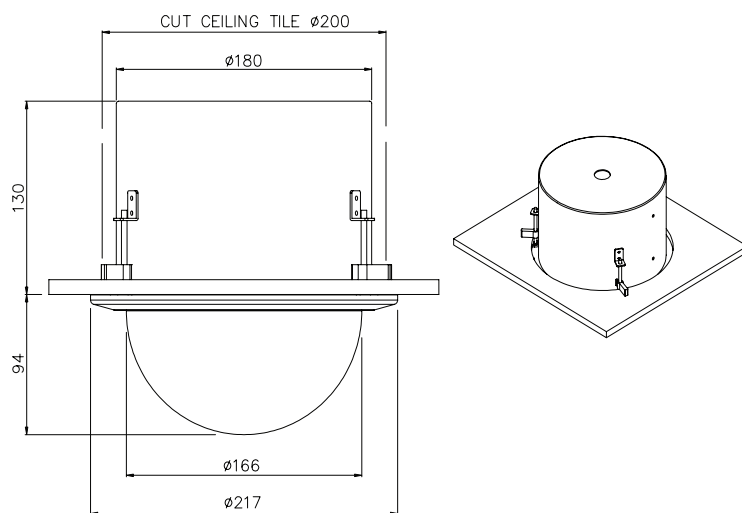


VT-PTFMK

PTZ Flush Mount Kit w/Clear or Smoked Bubble



FEATURES

- Easy Installation with Twist open Nuts
- Aluminum construction with polyester coating
- Optional Heater and Blower Kit
- Available with Clear or Smoked Bubble
- Weight: 2.8lbs. (1.3Kg) - with Wall Mount
- 32°-122°F Degree Operation Temperature / -58°-122°F Degrees with Heater/Blower Kit