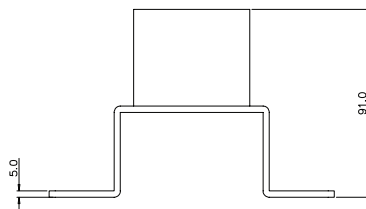
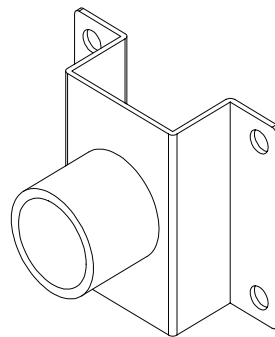
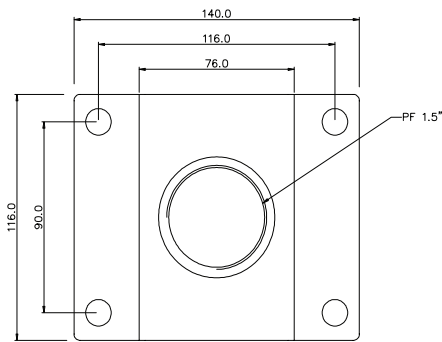


VT-PTPDMT

PTZ Pedestal / Ceiling Mount



FEATURES

- Aluminum/Steel construction with polyester coating
- For both Indoor and Outdoor use
- Extendable 11.8" x 1-1/2" NPT Threaded Extension Pipe
- Maximum Load: 44lbs. (20Kg)
- Weight: 2.2lbs. (1Kg)



(888) VITEK-70 | WWW.VITEKCCTV.COM
28492 Constellation Road Valencia, CA 91355

CYAN

MAGENTA

YELLOW

BLACK